



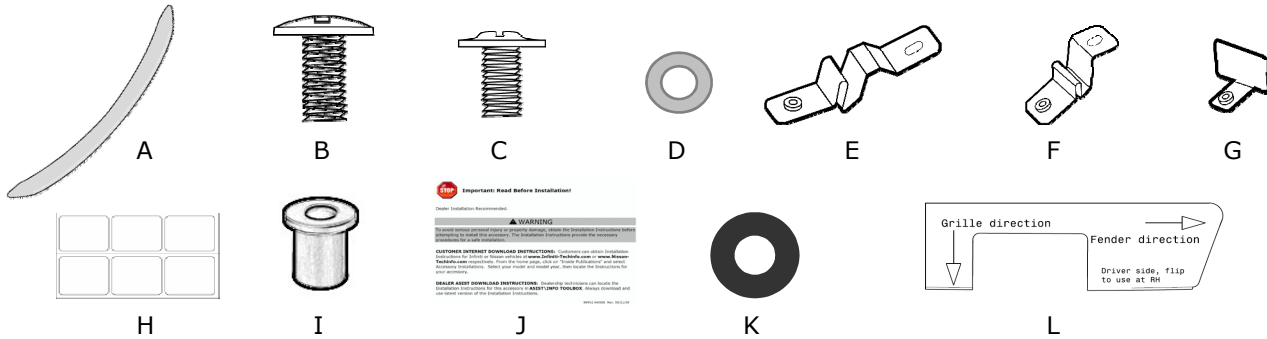
# GENUINE PARTS

## INSTALLATION INSTRUCTIONS

**DESCRIPTION:** Hood Bug Deflector  
**APPLICATION:** NV Cargo & Passenger (2011MY)  
**PART NUMBER:** 999D5 HX000

### KIT CONTENTS:

Item	Qty.	Part Description	Service Part Number
A	1	Hood Bug Deflector	
B	6	Phillips Head Screw #8-32 x 5/8"	
C	6	Phillips Head Screw #10-24 x 1/2"	
D	6	Washer	
E	4	Center Bracket	
F	2	Middle Bracket	
G	2	Stick-on Bracket	
H	6	Protective Tape	
I	6	Rubber Insert Nut	
J	1	Installation Instructions Replacement Guide	
K	2	Spacer	
L	1	Template	



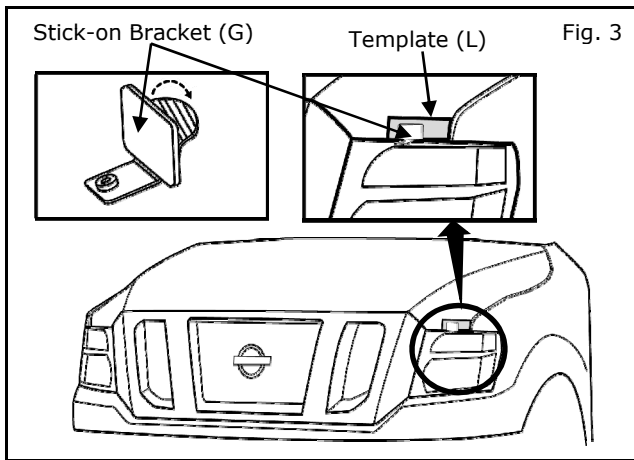
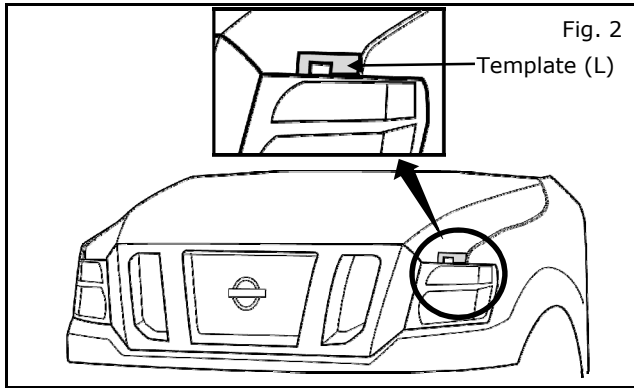
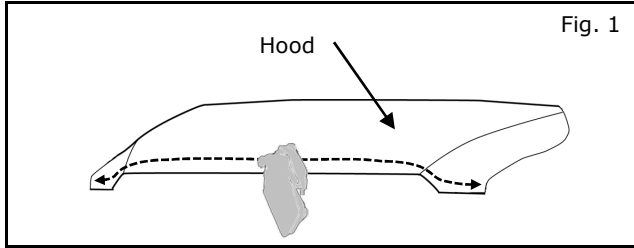
### TOOLS REQUIRED:

- Car Wash Supplies
- Shop Towel
- Rust preventative coating (P/N:999MP-9G001P)
- Rubbing alcohol (90% or greater)
- 3mm(1/8") and 8mm(5/16") drill bits
- Deburring tool
- Tape measure or Ruler
- Masking tape
- #2 Phillips Head Screw driver
- Hand-held Electric Drill
- Center punch & Hammer
- Protective blanket

### PRE-INSTALLATION WARNINGS, CAUTIONS, CRITICAL STEPS, and NOTES:

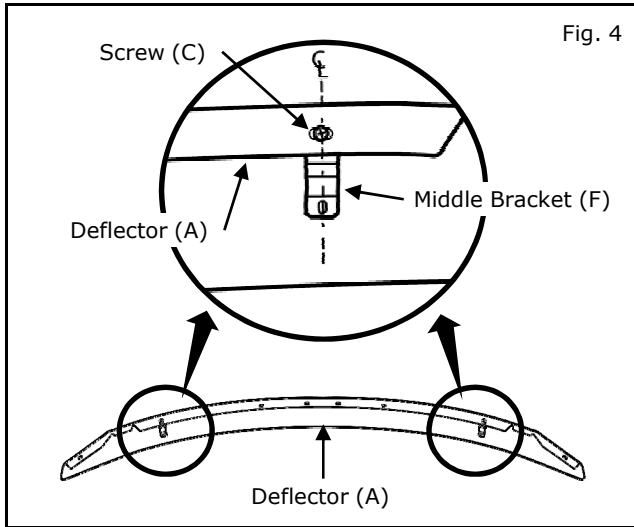
- To avoid damaging the surface, never use ammonia-based cleaners or solvents to clean your hood bug deflector.
- Clean hood bug deflector with a solution of mild dishwashing soap and water using a soft, lint free cloth or chamois.
- To remove fine scratches and restore the original luster, use a high quality plastic cleaner.

## INSTALLATION PROCEDURE:

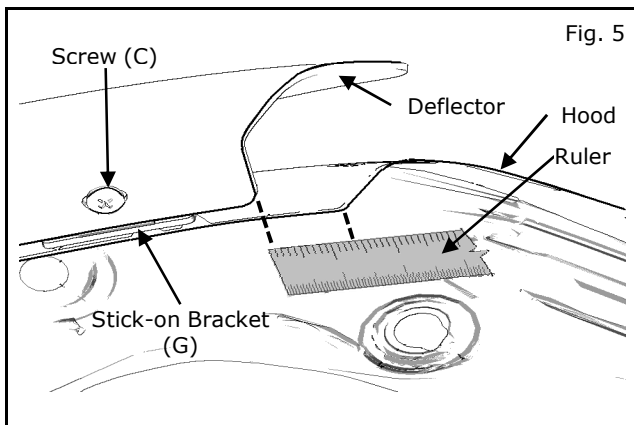


- 1) Open hood.
- 2) Clean hood installation area.
- 3) Clean top and underside of hood's leading edge again using rubbing alcohol and shop towel.
- 4) Cover engine compartment with protective blanket to catch any dropped hardware.
- 5) Align Template(L) on front driver(left) side corner of hood and hold it with masking tape.
- 6) Peel protective liner on Stick-on Bracket(G) and stick to hood using template.
- 7) Press bracket using a firm force (15 lb) on entire surface of the bracket, to ensure proper tape wet out.
- 8) Remove the Template(L), flip it over and align on right hand corner of the hood (passenger side). Hold it by adhesive tape.
- 9) Repeat steps 6 - 7.

## INSTALLATION PROCEDURE: (continued)

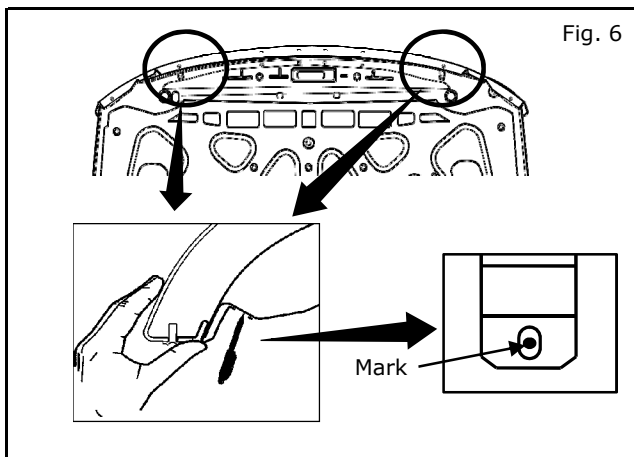


- 10) Install the two Middle Brackets (F) on Deflector (A), using Screw (C). Ensure Brackets (F) and Screw (C) are centered on slots square to the edge of Deflector (A).



- 11) Loosely install deflector assy on Stick-on Brackets(G) using Screw(C) while ensuring Middle Brackets(F) are positioned correctly on hood edge.

- 12) Center deflector on hood, and tighten Screws(C) snug to Stick-on Brackets(G).

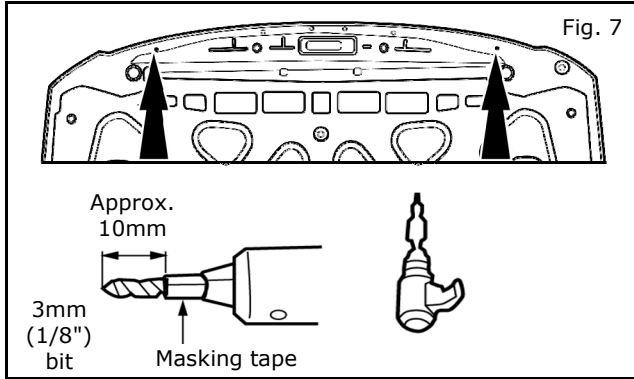


- 13) Push deflector assy toward hood at each Middle bracket (F) and mark center point of each bracket slot on hood inner surface.

- 14) Remove deflector assy.

- 15) Center punch above marked locations.

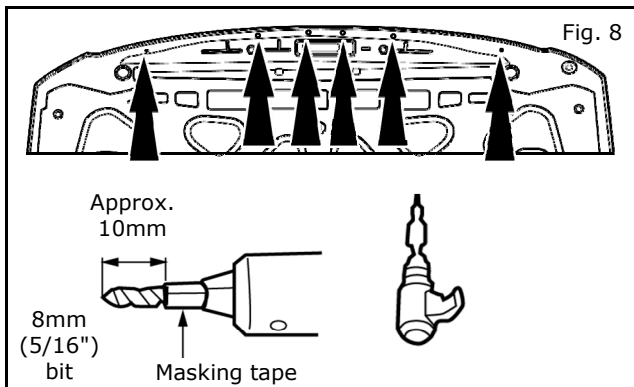
**INSTALLATION PROCEDURE: (continued)**



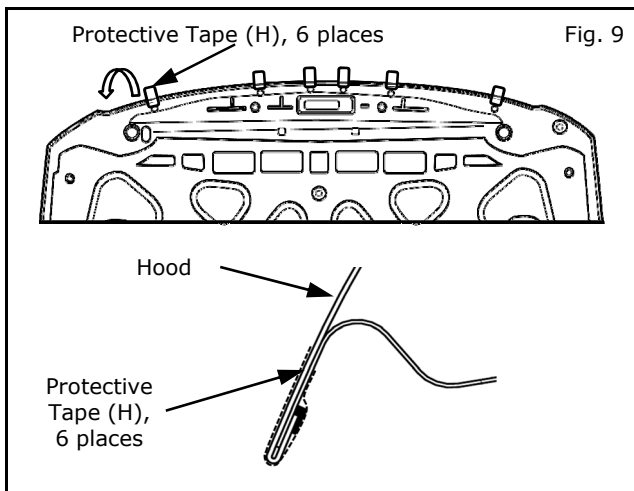
- 16) Measure 10mm from end of 3mm (1/8") drill bit and wrap with masking tape. Drill 2 holes at locations marked in step 15.

**CAUTION**

**Apply gentle pressure while drilling to ensure that once through, the drill bit DOES NOT contact Hood outer and cause damage. Applies to ALL drilling.**

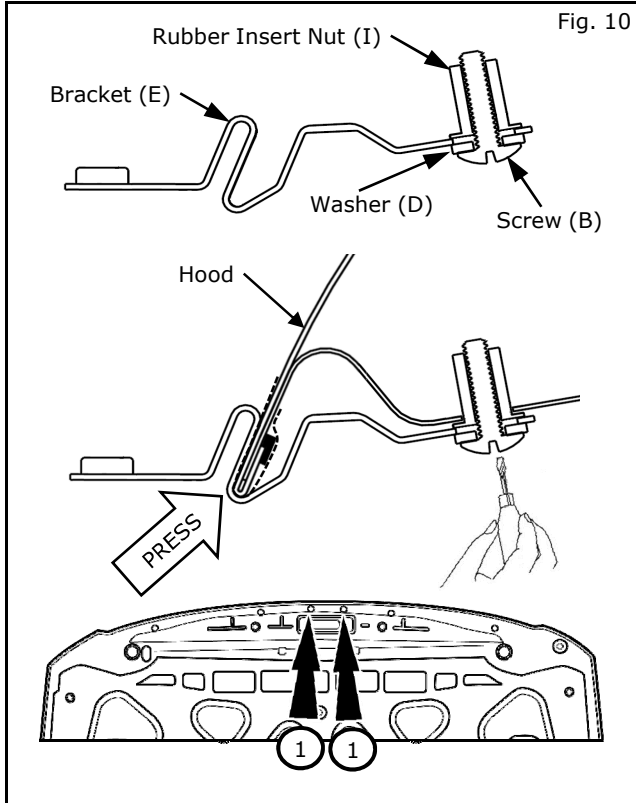


- 17) Measure 10mm from end of 8mm (5/16") drill bit and wrap with masking tape. Enlarge 2 holes drilled in step 16 and 4 existing holes on either side of hood striker.

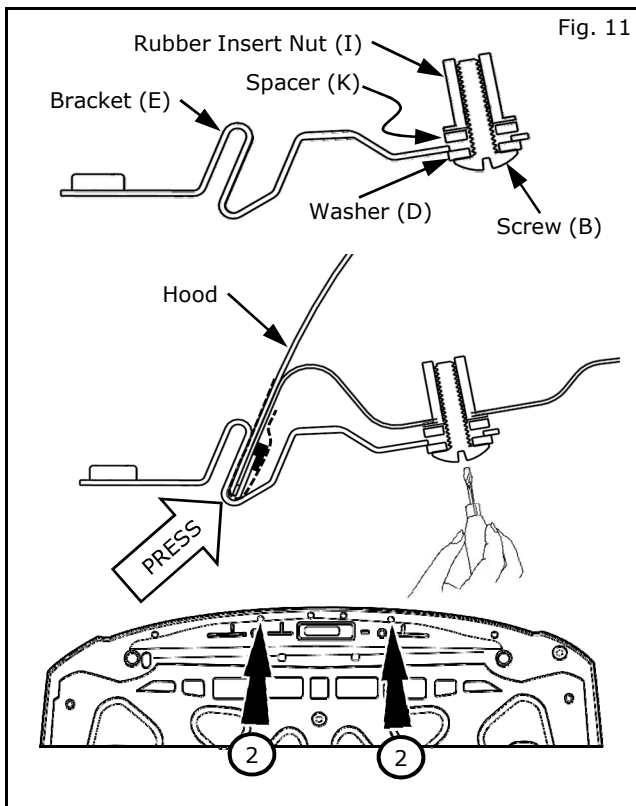


- 18) Clean edges of all 6 drilled holes with deburring tool, apply rust preventative (P/N 999MP-9G001P) to edges of holes and allow to dry.
- 19) Wrap Protective tape(H) over leading edge of hood at drilled hole locations. Ensure tape is wrinkle free and fully wetted out.

**INSTALLATION PROCEDURE: (continued)**

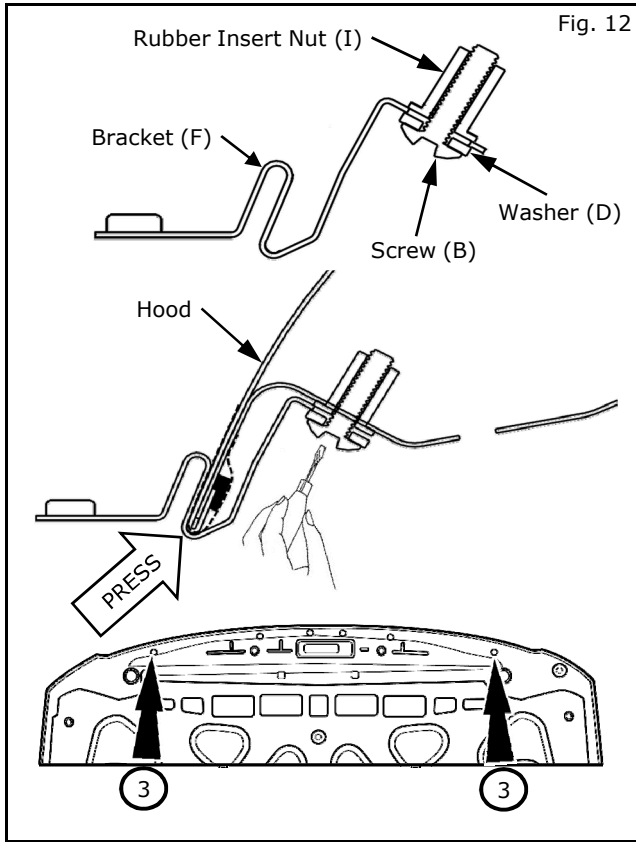


20) Assemble brackets and fasteners and install at 2 locations marked ①.

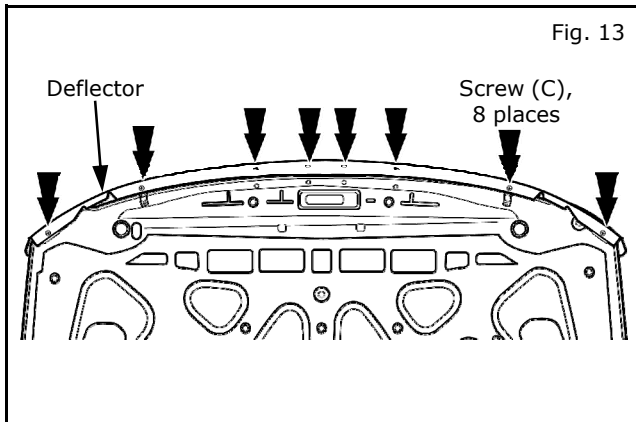


21) Assemble brackets and fasteners and install at 2 locations marked ②.

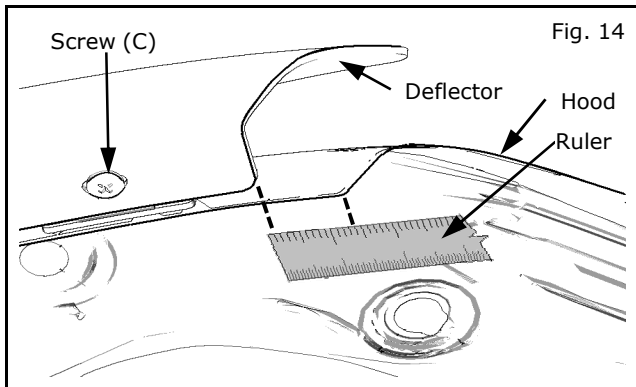
**INSTALLATION PROCEDURE: (continued)**



22) Remove the 2 Middle Brackets(F) from Deflector(A), assemble brackets and fastners and install at 2 locations marked ③.

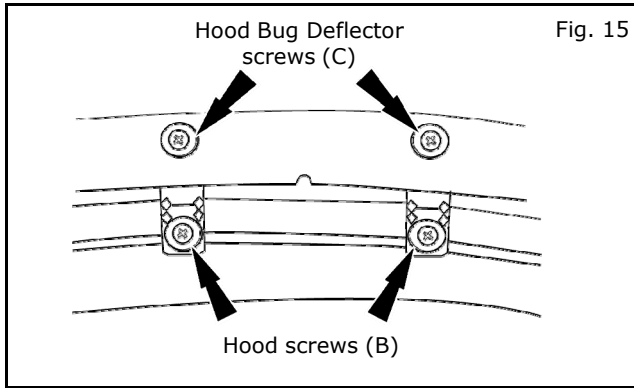


23) Loosely install Deflector(A) on brackets using Screw(C).



24) Center deflector on hood using ruler.

**INSTALLATION PROCEDURE: (continued)**



25) Tighten all screws.

**FINAL INSPECTION:**

Prior to completion, verify the following:

- All screws are properly tightened and snug against a bearing surface.
- Brackets are secure and Hood Bug Deflector does not slide fore/aft or side to side.
- Paint protection *film is smooth and free of wrinkles.*
- Hood closes and latches normally.